

Cruz y Ortiz Arquitectos monographic  
Exhibition '12 obras / 12 textos' at ICO Museum

Madrid, Spain



Publication's title: Cruz y Ortiz Arquitectos monographic  
Exhibition '12 obras / 12 textos'  
at ICO Museum, Madrid

Typology: Exhibition  
Client: ICO Museum - ICO Foundation  
Surface: 494 m2  
Year: 2017  
Status: Built



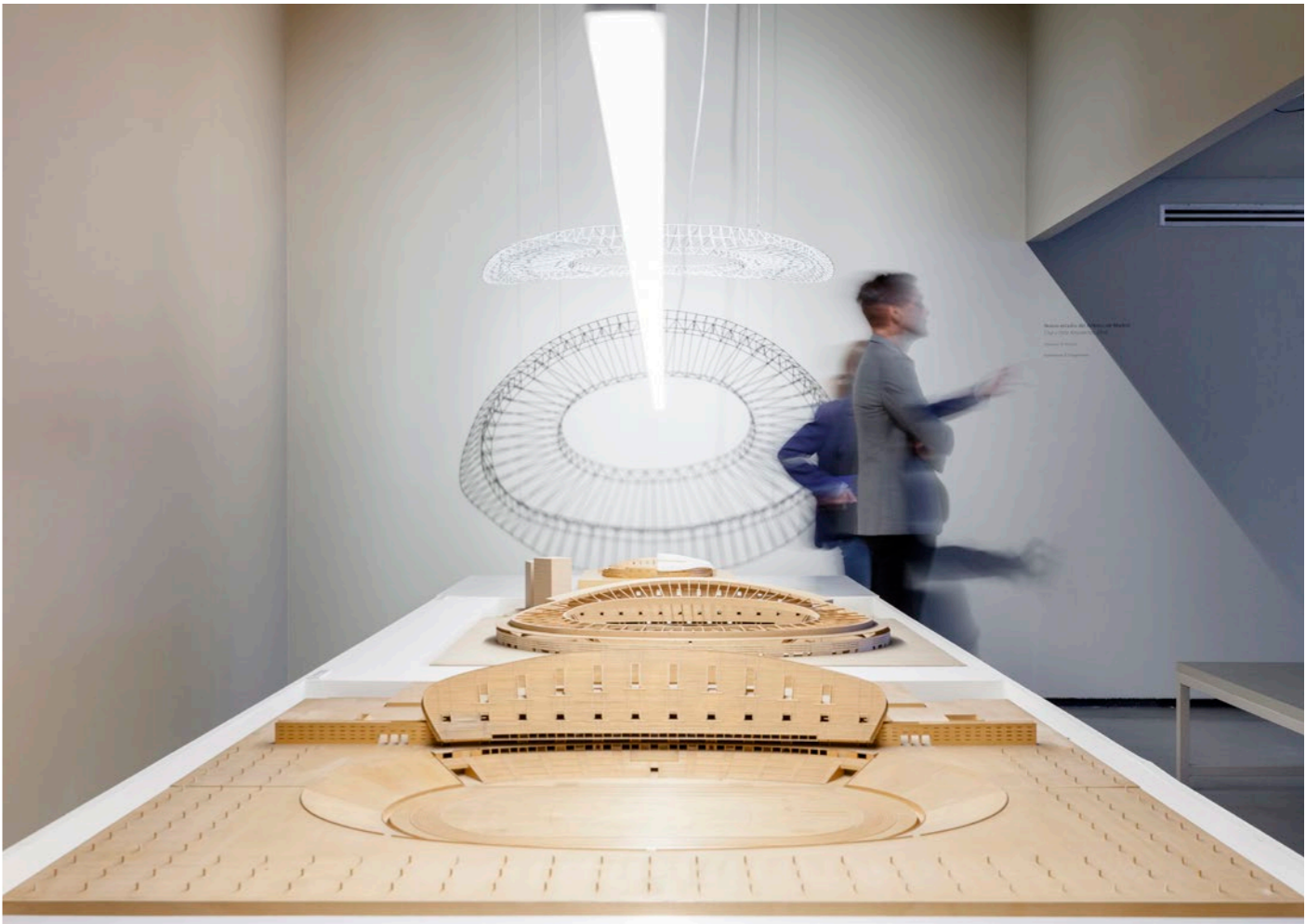
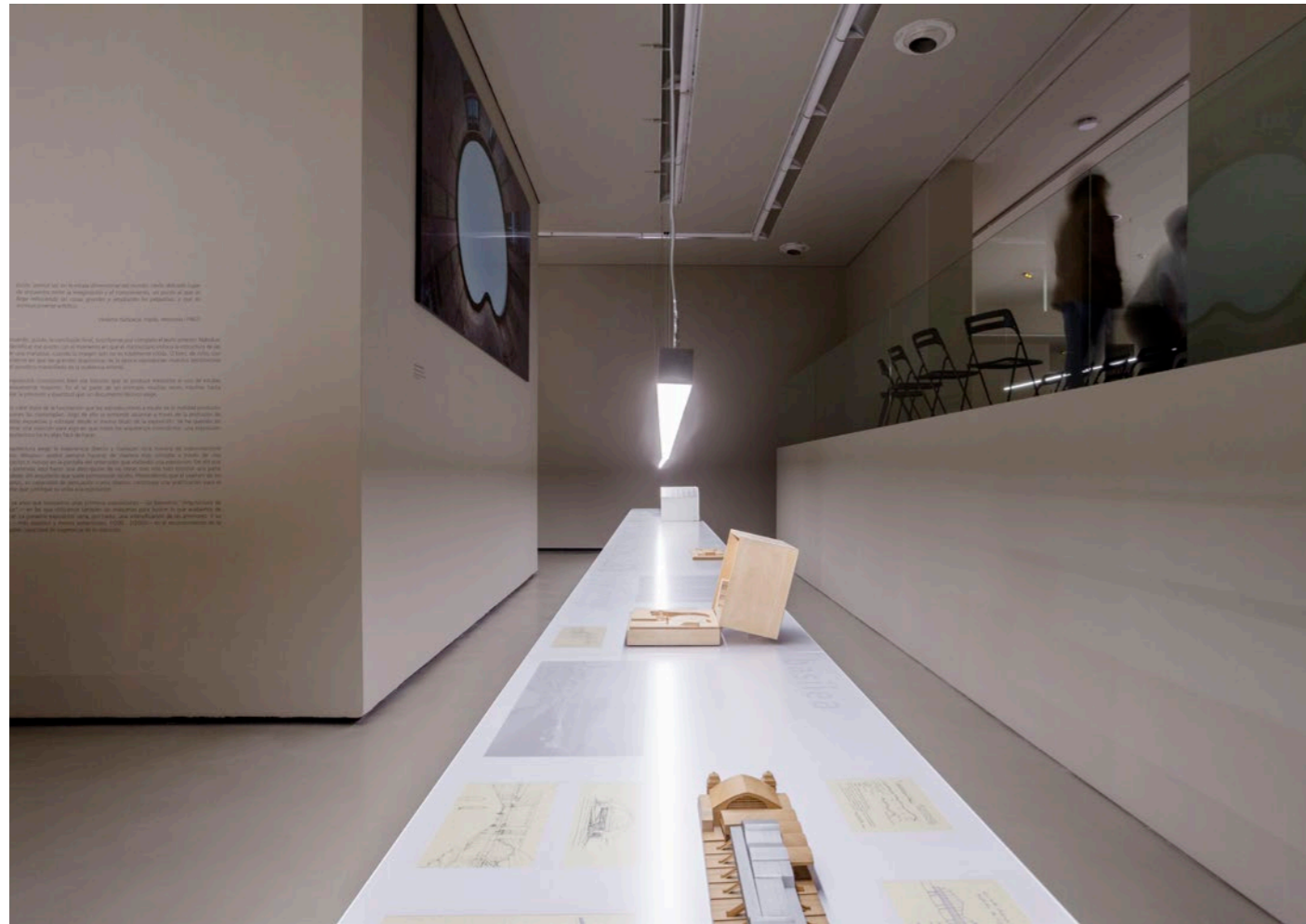
REPORT

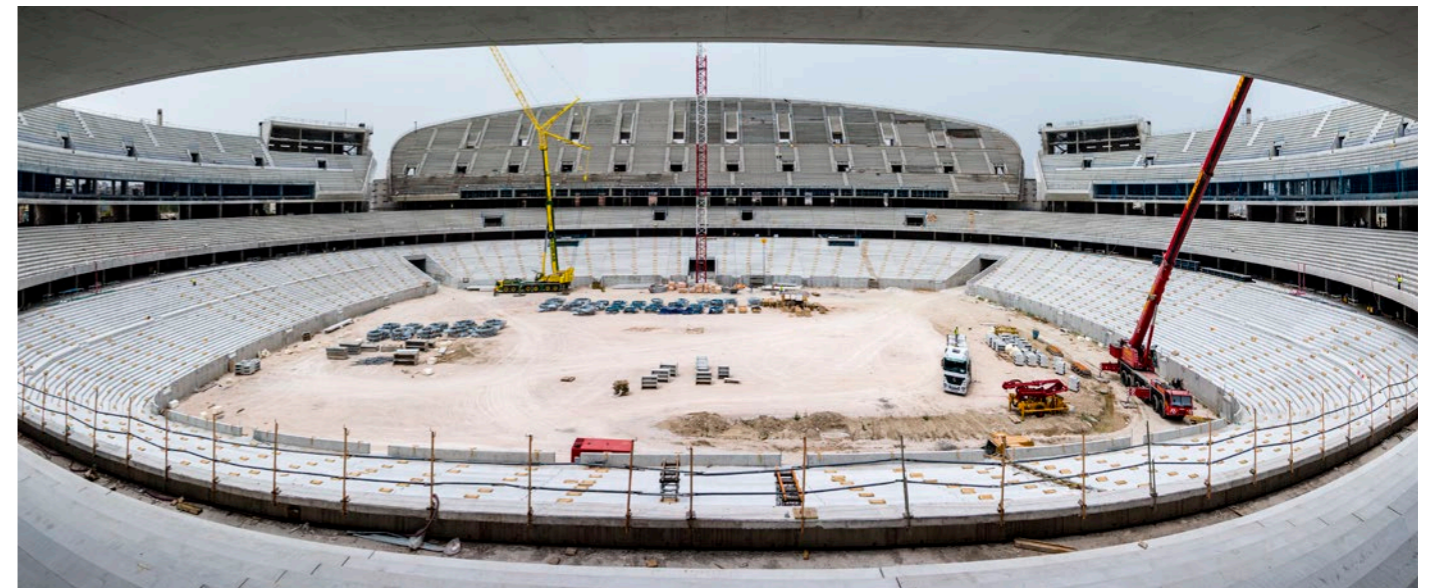
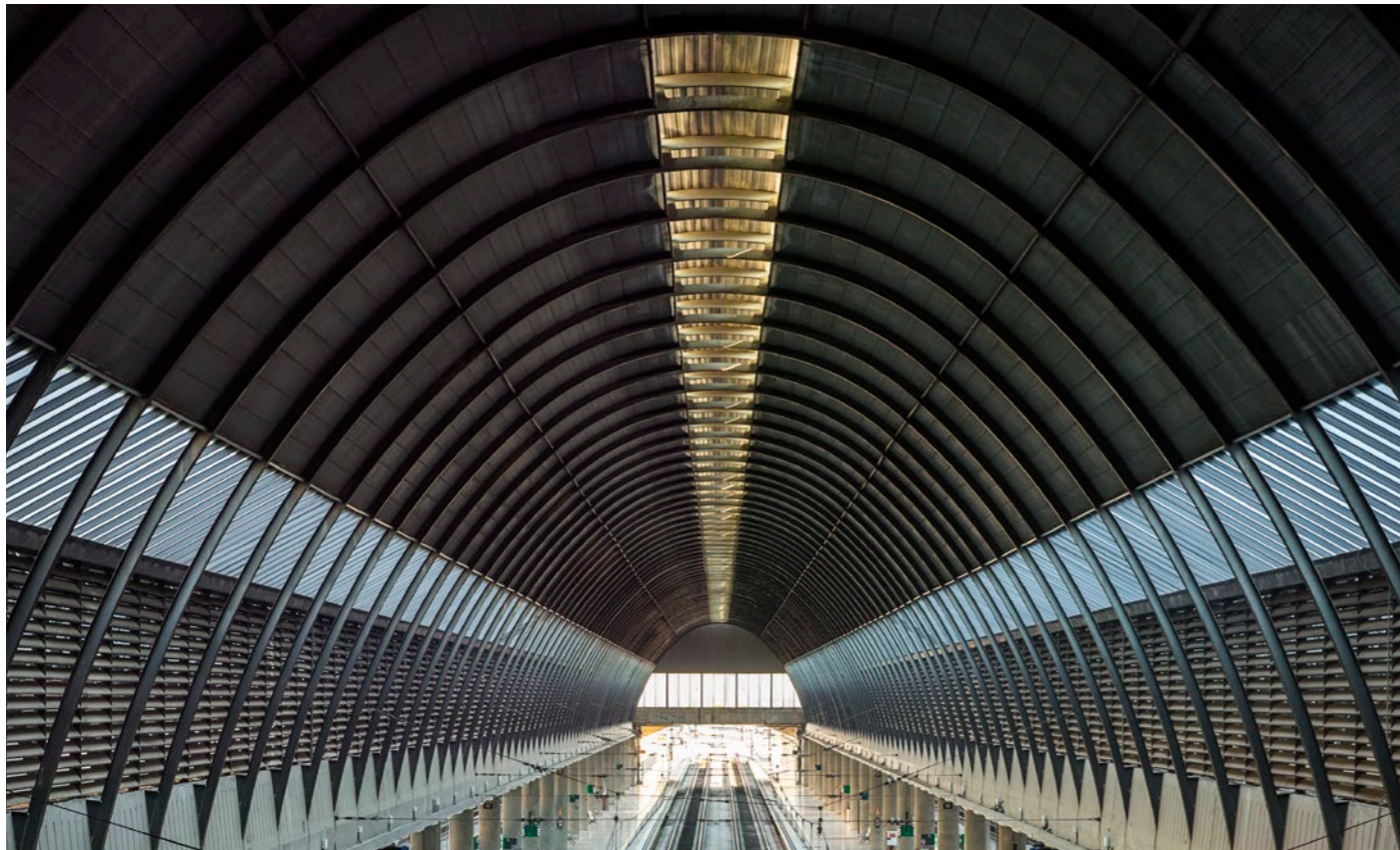
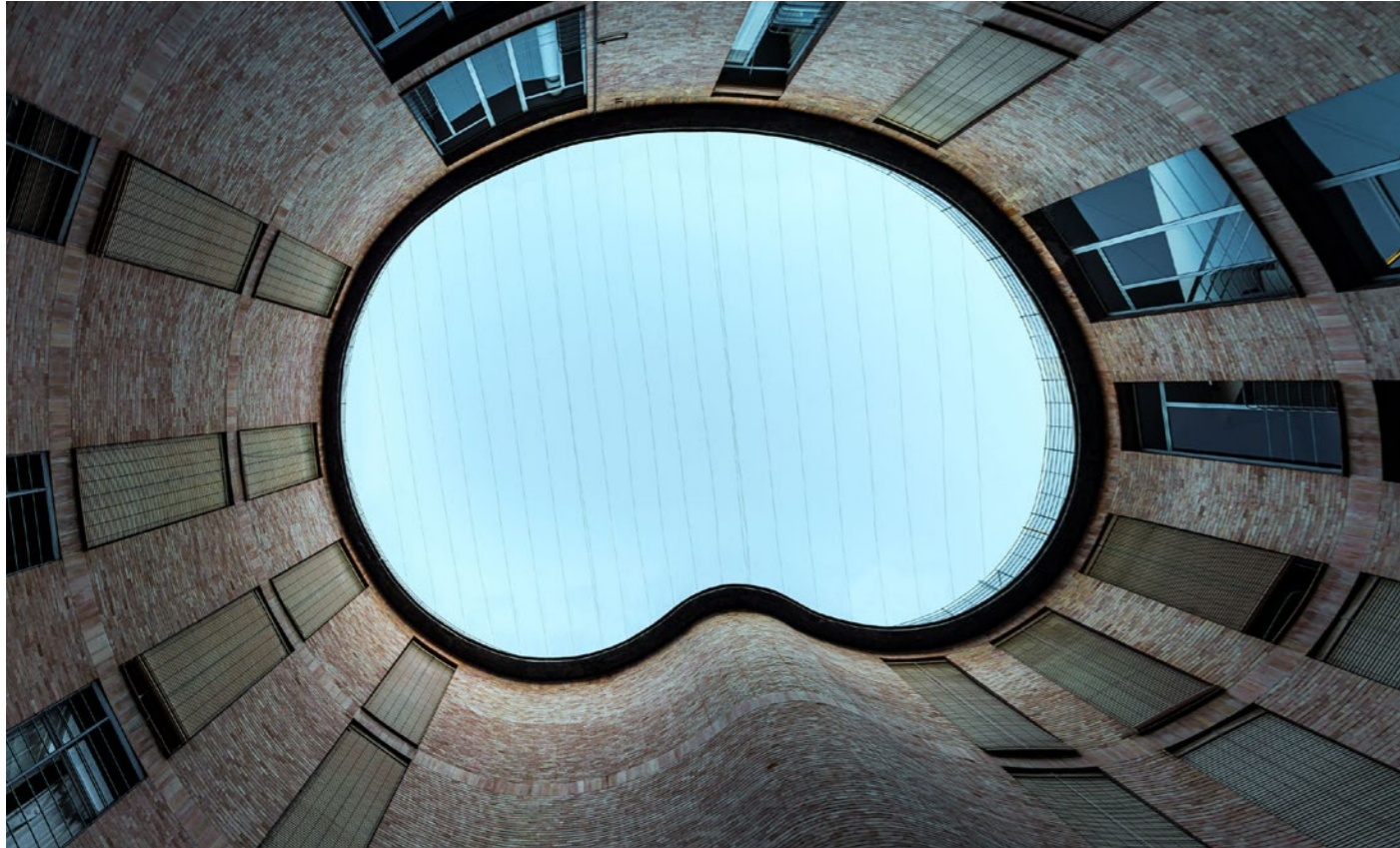
The exhibition 'Cruz y Ortiz: 1/200 ... 1/2000' invites us to know the career of Cruz y Ortiz through models, sketches, photographs and videos. More than fifty projects are distributed in the exhibition space of ICO Foundation and describe the national and international trajectory of the office.

After a series of interventions, the museum has been divided into three exhibition spaces and two video zones. Each space contains long tables and over them the information of each project. The tables, in addition to organizing the tour, structure the exhibition in six themes: essential projects, the new Atletico de Madrid stadium, outstanding projects, curved geometry projects, projects where interior space predominates and projects with broken geometries. Four photographs of José Manuel Ballester are placed in strategic places in order to give scale and beauty to the exhibition.



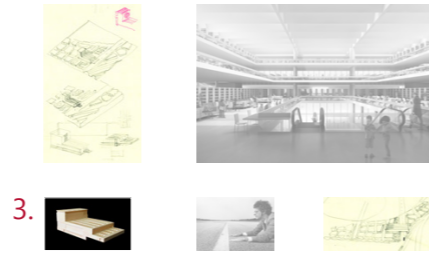
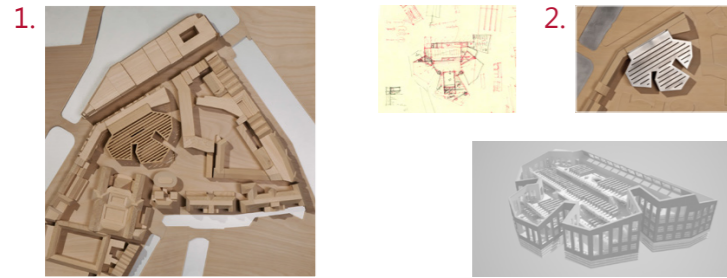






# biblioteca ámsterdam

Biblioteca de la Universidad de Ámsterdam

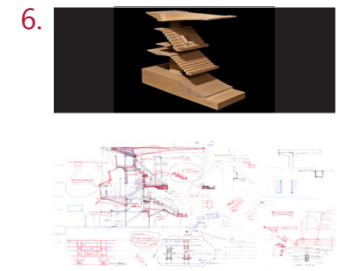


# tempelhof

Biblioteca en Berlín

# museo burgos

Museo de la Evolución Humana y Palacio de Congresos



# letzigrund

Estadio de atletismo. Zúrich

# java-eiland

Viviendas en Java-Eiland. Ámsterdam



# holland park

Viviendas en Holland Park. Ámsterdam

# patio sevilla

Viviendas Patio Sevilla en Cerámique. Maastricht

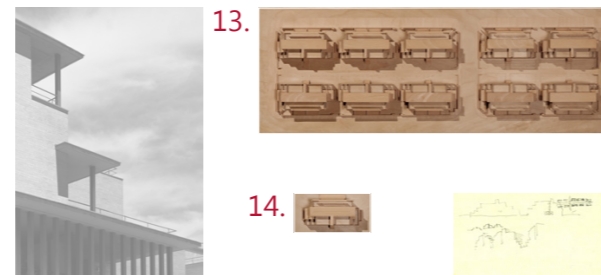


# puente maastricht

Puente sobre el río Mosa. Maastricht

# viviendas lisboa

Viviendas en Expo 98. Lisboa



# carabanchel

Viviendas en Carabanchel, Madrid

# tharsis

Poblado minero en Tharsis. Huelva



# sancti petri

Viviendas Novo Sancti Petri, Cádiz

1. Maqueta biblioteca ámsterdam 1/500  
2. Maqueta biblioteca ámsterdam 1/500  
3. Maqueta tempelhof 1/1000

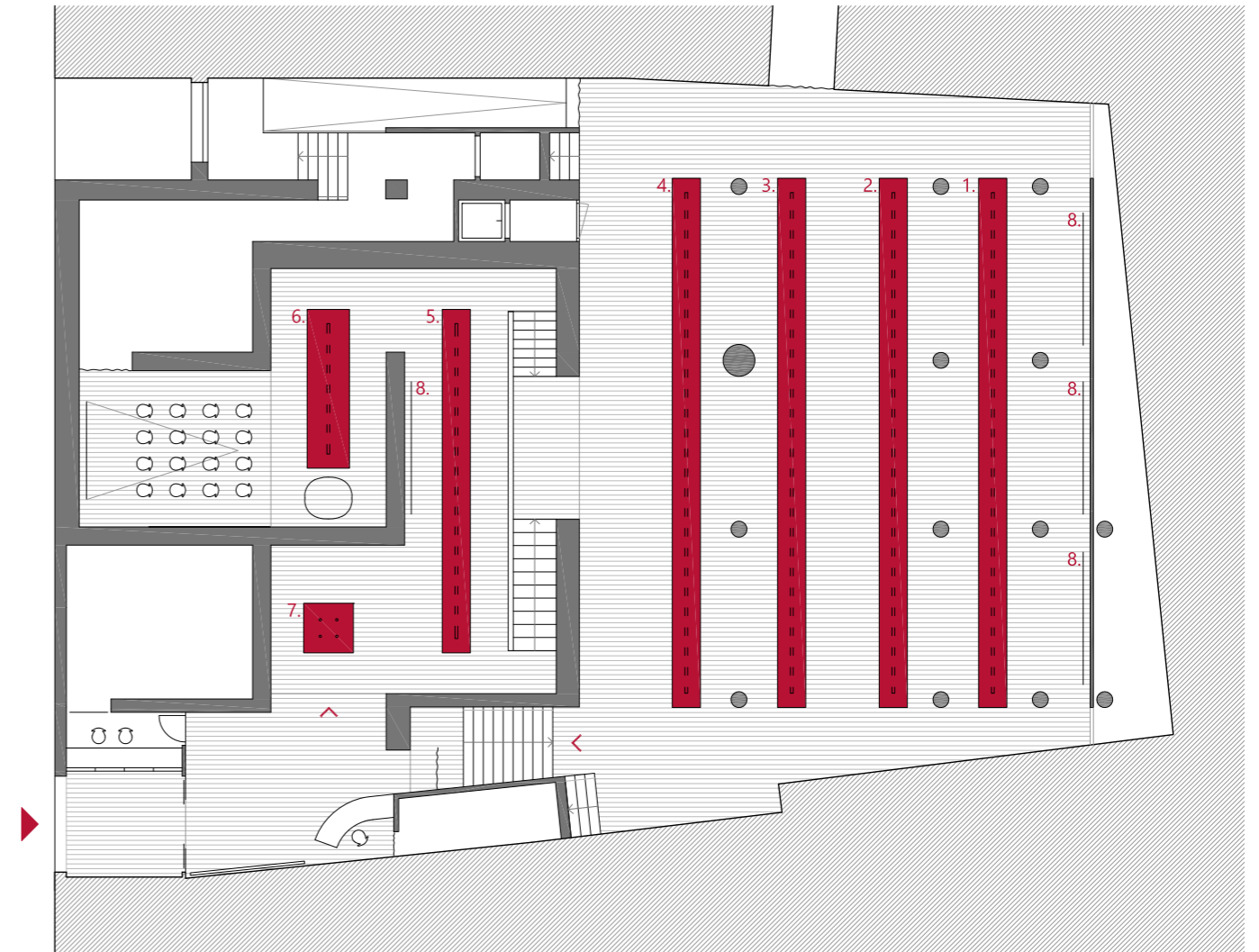
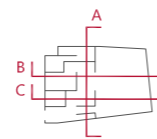
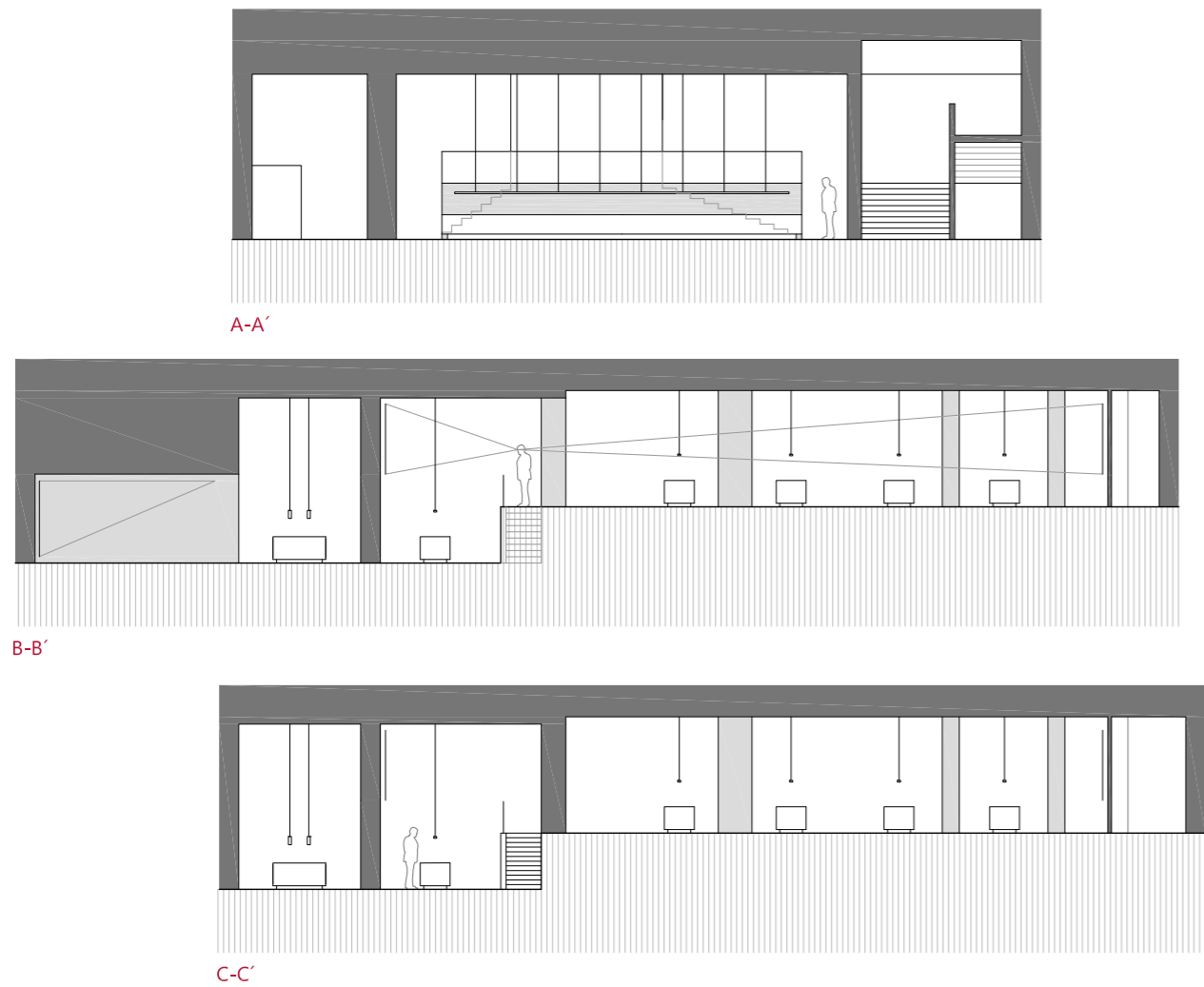
4. Maqueta museo burgos 1/1000  
5. Maqueta museo burgos 1/1000  
6. Maqueta letzigrund 1/200

7. Maqueta java-eiland 1/300  
8. Maqueta holland park 1/300  
9. Maqueta holland park 1/200

10. Maqueta patio sevilla 1/400  
11. Maqueta puente maastricht 1/500

12. Maqueta lisboa 1/750  
13. Maqueta carabanchel 1/250  
14. Maqueta carabanchel 1/300

15. Maqueta tharsis 1/750  
16. Maqueta tharsis 1/200  
17. Maqueta sancti petri 1/750  
18. Maqueta sancti petri 1/200



Mesa 1: QUEBRADA biblioteca de ámsterdam, tempelhof, museo burgos, letzigrund, java eiland, holland park, patio sevilla, puente maasticht, viviendas lisboa, carabanchel, tharist, sancti petri.  
 Mesa 2: ESPACIO INTERIOR lugano cornaredo, cac córdoba, almanjáyar, la haya, gerencia sevilla, puerto de melilla, loyola, lausanne, caixaforum, expo 92 de sevilla, artes visuales, nanterre.

Mesa 3: CURVAS estadio de jerez, control aéreo, arte visigodo, beirut, obras públicas, wilhelminapier, llano amarillo, ópera de Málaga, reina sofía, lugano supsi  
 Mesa 4: DESTACADOS estación de hueva, biblioteca sevilla, campus granada, doñana, estadio cartuja, expo de hannover, atelierbuilding, entrance building, asian pavillion, magisterio, pablo picasso.

Mesa 5: ESENCIAL rijksmuseum, santa justa, basilea, maría coronel  
 Mesa 6: NUEVO ESTADIO DEL ATLETICO DE MADRID la peñeta, madrid 2012, atlético de madrid  
 Mesa 7: CATALOGOS 12 edificios /12 textos  
 Fotos 8: FOTOGRAFÍAS de José Manuel Ballester

**Cruz y Ortiz Arquitectos monographic Exhibition '12 obras / 12 textos'  
at ICO Museum. Madrid, Spain**

**MAIN DATA**

Client: Museo ICO - Fundación ICO  
Address: Calle de Zorrilla, 3, 28014 Madrid  
Type: Exhibition  
Status: Built

**DATAS**

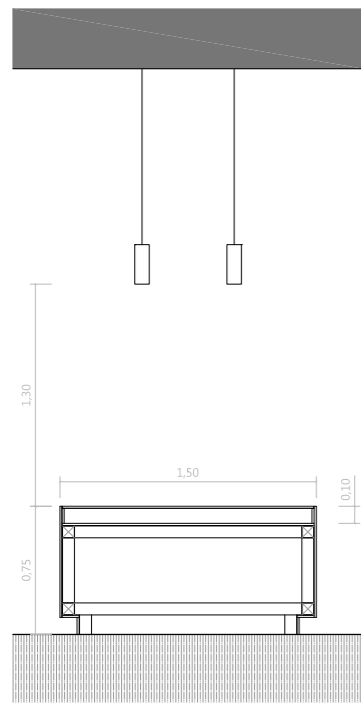
Competition: 2016  
Design of project: 2016  
Construction: 2016  
Implementation: 2016-2017

**SURFACES**

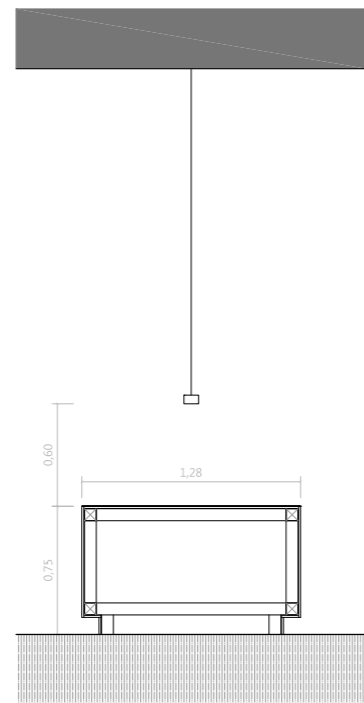
Site: -  
Main building: 494 m<sup>2</sup>  
Other buildings: -  
TOTAL: 494 m<sup>2</sup>

**PROJECT TEAM**

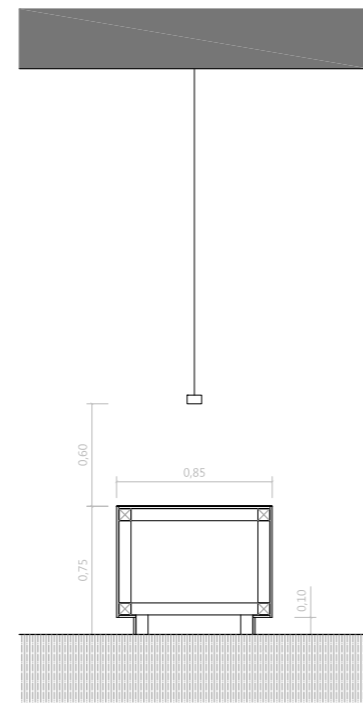
Main Architect: Cruz y Ortiz Arquitectos  
Collaborators: Rodrigo Ruiz, Oscar García de la Cámara, Sonia Gutiérrez, Juan Carlos Mulero, Rosa Melero  
Local Architect: Carlos Mulero, Rosa Melero  
Interior design: Jesús Ulargui  
Lighting design: Cruz y Ortiz Arquitectos  
Landscape architect: Viabizzuno  
Restoration architect: -  
Digital imaging: -  
Model: -  
Photography: Luis Montiel, Jorge Queipo, Juan de Dios, Jacinto Gomez, ...  
Structural engineering: José Manuel Ballester  
Climate engineer: -  
Building physics advisor: -  
Fire safety specialist: -  
Health and Safety: -  
Urban planning: -  
Survey: Cruz y Ortiz Arquitectos  
Site control: -  
Contractors: -  
Montajes Horche S.L.



Mesa 7



Mesa 6



Mesa 1-2-3-4-5